



**CUSTOM<sup>TM</sup>**  
**GLAZE**

*polycarbonate roofing to suit your lifestyle...*

**Maximise** your living space and **modernise** your outdoor living area with **Custom Glaze™**, a high quality polycarbonate roofing sheet that is **engineered to withstand long-term outdoor UV exposure**.

## Selecting Custom Glaze™

Custom Glaze™ is suitable for a variety of existing and future structures where the rafters are designed to be placed specifically at 610mm centres. Custom Glaze™ is a very cost-effective polycarbonate roofing system providing a contemporary, stylish flat roof look without the need for expensive glazing bars.

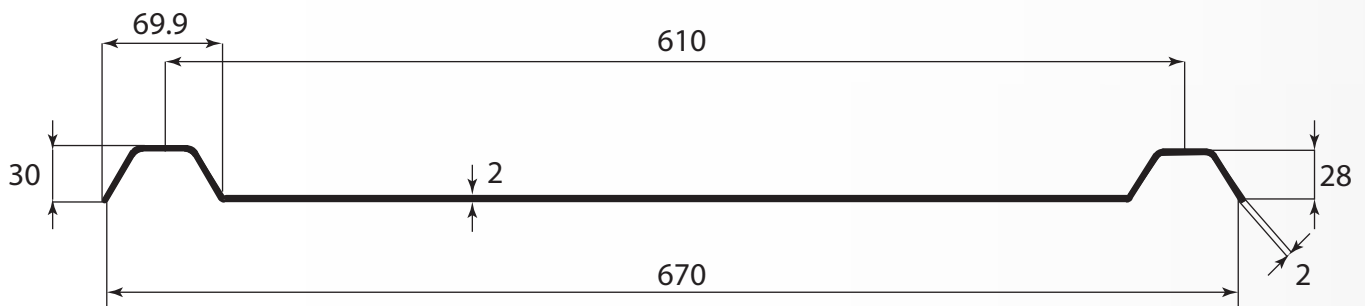
Both the overlapping ribs are spaced at 610mm centres, allowing the overlapping rib to be positioned on the rafter effectively concealing the ribs when being viewed from below. Custom Glaze™ offers 99.9% UV protection and is extruded with an industry leading thickness of 2mm.

### STANDARD LENGTHS (m):

3.0, 4.0, 5.0, 6.0

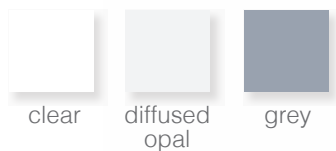
**THICKNESS:** 2mm

## Profile



## Colour

Custom Glaze™ is available in Clear, Diffused Opal and Grey Tints.



Light Transmission %	93%	60%	15%
Heat Reduction %	0%	44%	34%

*Light Transmission in accordance with AS/NZS 4257.4 standard test method.  
Heat Reduction in accordance with ISO 9050 Standard test method*

## NZBC Fire Group 1-S Rating

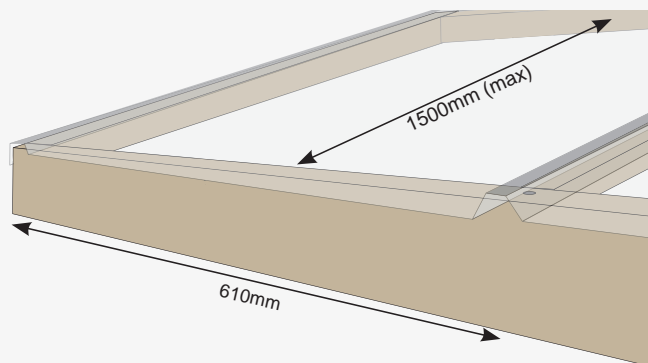
Custom Glaze™ has been extensively tested using the full scale ISO 9705 room test. This extensive testing utilises a gas burner exposing the sheeting to 100kw for 10 minutes, and then 300kw for a further 10 minutes. Custom Glaze™ achieves a NZBC 1-S Rating as flashover is not reached.



Custom Glaze™ is supported by a comprehensive Lifetime Warranty (Loss of Light) and a 10 Year Weather Breakage Warranty. For details visit [laserlite.com.au](http://laserlite.com.au)

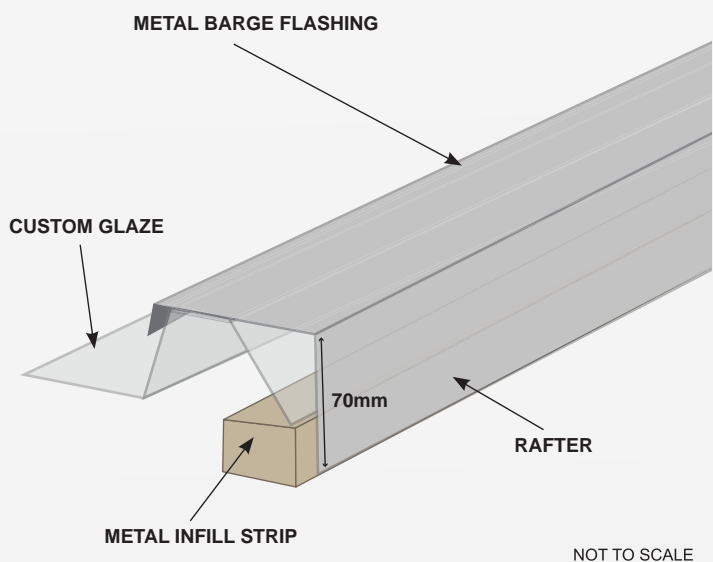


## Purlin Spacing



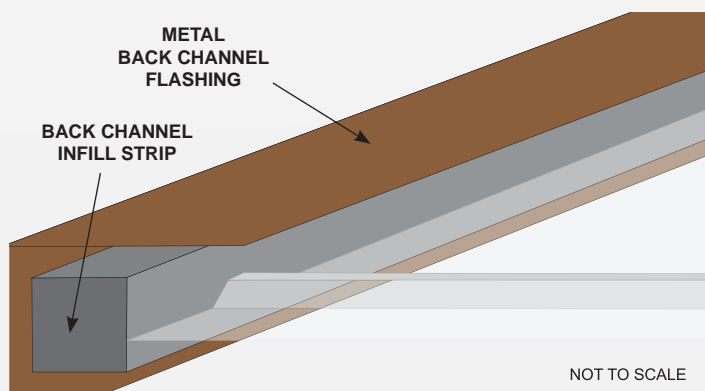
NOT TO SCALE

## Barge Capping



NOT TO SCALE

## Metal Back Channel Flashing



NOT TO SCALE

## Installation Information

### RECOMMENDED ROOF PITCH

The recommended minimum roof pitch for Custom Glaze™ is five degrees.

### PURLIN SPACING

Custom Glaze™ is designed to be installed on purlins at a maximum of 1500mm centres.

For installations in snow prone areas, the purlin spans should be reduced to a maximum of 600mm centres.

### NOISE STOP TAPE

Laserlite® Noise Stop Tape should be installed on purlins prior to fixing the sheet to avoid creaking.

### INFILL STRIPS

Install Custom Glaze™ Infill Strips at eaves to avoid rain, dust and wind entering the eaves.

### METAL BARGE CAPPING

Install on exposed rafters to provide an attractive finish to the roof.

### METAL BACK CHANNEL

For installations under a gutter fit Metal Back Channel with Back Channel Infill Strips prior to fixing sheets.

### FIXING CUSTOM GLAZE™ TO THE RAFTERS OR PURLINS

Ensuring your Custom Glaze™ is presented in pristine condition, there is a protective film on both sides of the sheeting. Custom Glaze™ is to be fixed at every 400mm on all rafters, or fixed at 300mm for high wind zones. Fixing across the purlins is also recommended. To fasten Custom Glaze™, it is recommended that Custom Glaze™ 65mm Multipurpose Fasteners are used. They are specifically designed for fixing Custom Glaze™ securely to the purlins. Custom Glaze™ must be fixed on every crest of every purlin.

Custom Glaze™ has an overlapping rib and an underlapping rib, these are specifically designed so that the precise and effective cover is maintained across the structure.

Please ensure the overlapping side fits over the underlapping rib, refer to fixing instructions included in the pack for more information.

## Handling, Storage & Cleaning

Store sheets on a flat surface in a well protected and shaded area, out of direct sunlight. Stacked sheets stored in the sun will cause heat build-up and possible distortion, even if covered. If damage occurs in this situation, the warranty is void.

Prevent moisture getting between stored sheets as this may cause whitening. Clean sheets regularly with warm, soapy water (mild detergent) and a soft sponge. Take care not to scratch the sheet. Hose down thoroughly.

Custom Glaze™ polycarbonate roofing is affected by methylated spirits, benzene, petrol, ketones, acetone, phenols, chlorinated and aromatic hydrocarbons, petroleum-based paints, abrasive cleaners and solvents.

The measurements stated in this brochure are accurate, however the drawings are an artists impression and should not be relied upon when designing your structure.

# Accessories

## FASTENERS

Install using 65mm Custom Glaze™ Multipurpose Fasteners  
Fix using 6 screws per lineal metre

## FLASHINGS *(to suit your roof design)*

Custom Glaze™ Metal Barge Capping  
Laserlite® Metal Back Channel Flashing

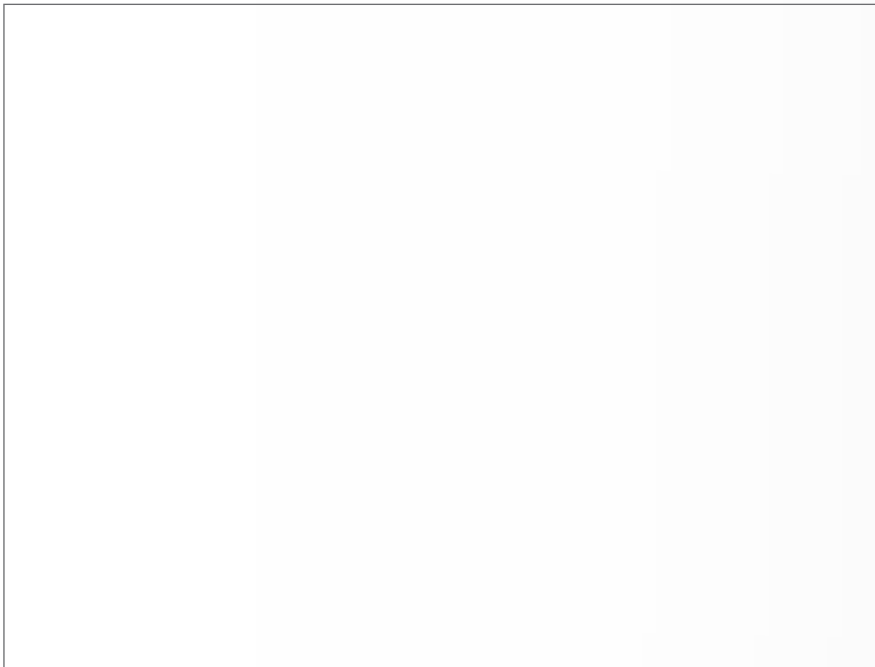
## FOAM

Laserlite® Noise Stop Tape  
Laserlite® Back Channel Infill Strip  
Custom Glaze™ Infill Strip



*polycarbonate roofing to suit your lifestyle...*

## Custom Glaze™ is available from:



Custom Glaze™ is a Trademark of Impack International Pte Ltd.